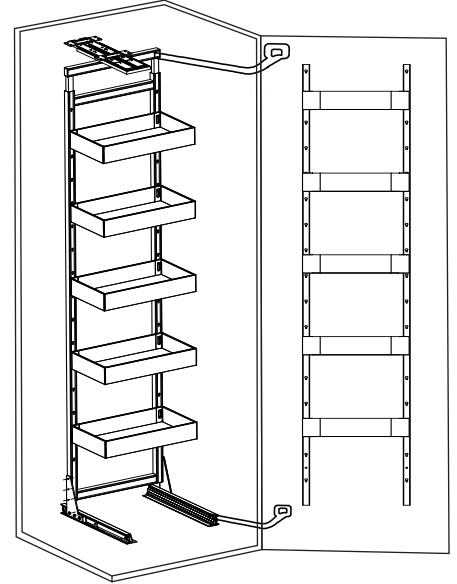




**Pantry Unit
Presentation**
YouTube



PANTRY SLIM (Soft Close)

Small Basket



Big Basket



SIZE	DESCRIPTION
450mm x 4ft	4+3 Basket
450mm x 6ft	5+5 Basket
600mm x 4ft	4+3 Basket
600mm x 6ft	5+5 Basket

Loading Capacity: 100kgs.

- ▶ The Product Does Come With Three Type Cabinet Wooden, Glass or Slim
- ▶ Easy installation with Installation Templates and Guide
- ▶ Noiseless Soft Close Mechanism, High Quality Material, Good Load Bearing Capacity
- ▶ Mechanism:- Aluminium / MS, Basket:- Stainless Steel, Mild Steel or Aluminium
Dimension Width 450mm - 600mm, Height: 4feet - 6feet
- ▶ 6+6 Basket is available in 4feet pantry also 6feet.

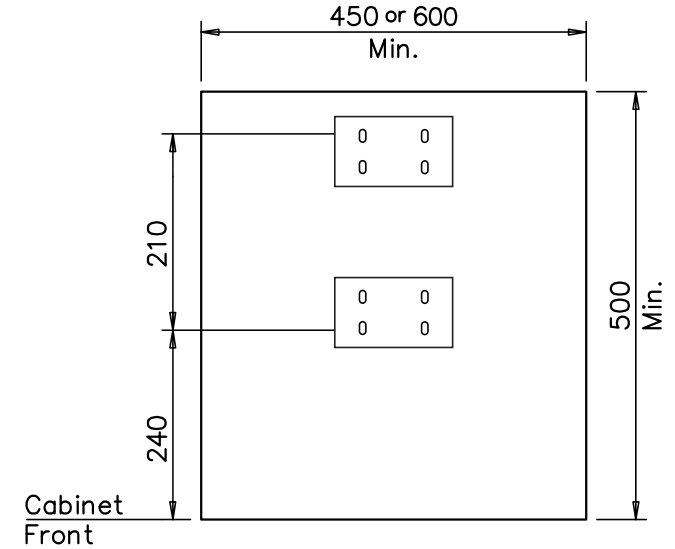
Installation Manual for Pantry Units



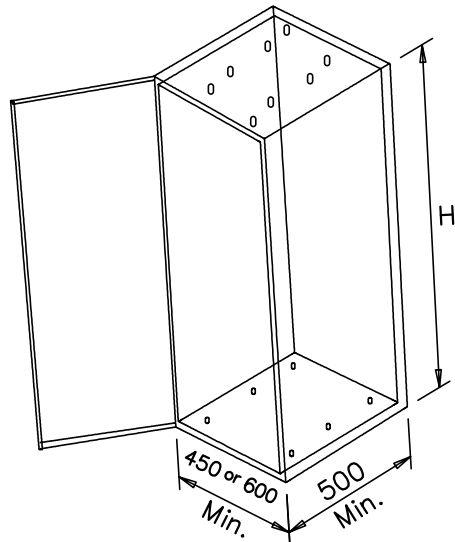
1. Product Contents

A: Top Channel 1 Pair.	B: Top Channel Cover 1 No.	C: Bottom Channel 1 Pair.	D: Bottom Bracket 2 Nos.	E: Bottom Channel Cover 2 Nos.	F: Door Frame 2 Nos.	H: Main Frame 1 No.
I: Link 2 Nos.	J: Link Bracket (Small) 2 Nos.	K: Basket for Door Frame 6 Nos./4 Nos.	L: Basket for Main Frame 6 Nos./4 Nos.	M: Screw for Bottom Bracket 6+6 Nos.		
N: Link Bracket (Big) 1+1 Nos.	O: Screw for Top Channel \ Bottom Bracket 4 Nos.	P: Nut for Top Bracket/Link 4 Nos.	Q: Screw for Bottom Bracket 22 Nos.	R: Screw for Door Frame 10 Nos.		

3 (a). Mounting Hole Location for Top Cabinet board



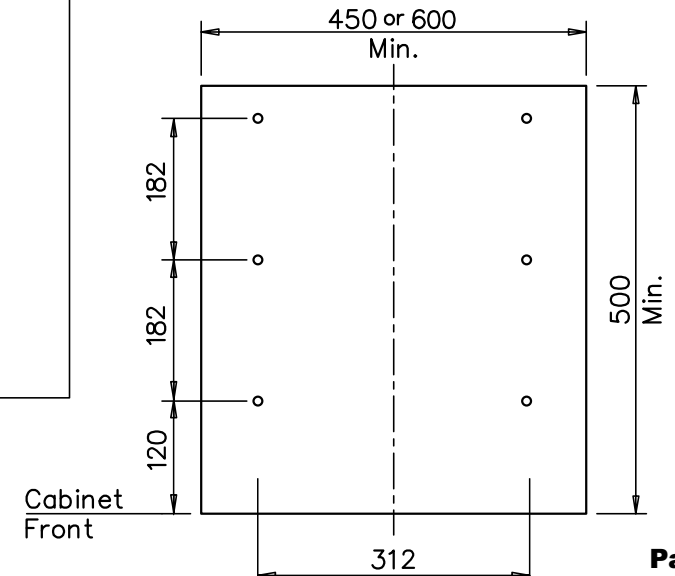
2. Suitable Cabinet Size (D500*W450 or W600*H inner dimensions)



Product Description	Cabinet Height "H"	No. of Baskets "n"
Pantry Unit 6 ft (450mm)	1850 – 2150	6+6
Pantry Unit 4 ft (450mm)	1250 – 1550	4+4
Pantry Unit 6 ft (600mm)	1850 – 2150	6+6
Pantry Unit 4 ft (600mm)	1250 – 1550	4+4

- * Can be installed on Left Handed or Right Handed Cabinets.
- * Recommended Home Care Soft Close Cabinet Hinges 6 nos. for each cabinet shutters.
- * All dimensions are in mm

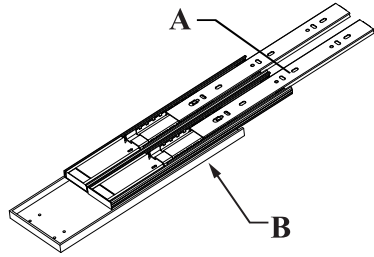
3 (b). Mounting Hole Location for Bottom Cabinet board



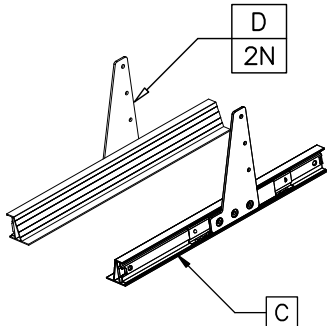
Installation Manual for Pantry Units



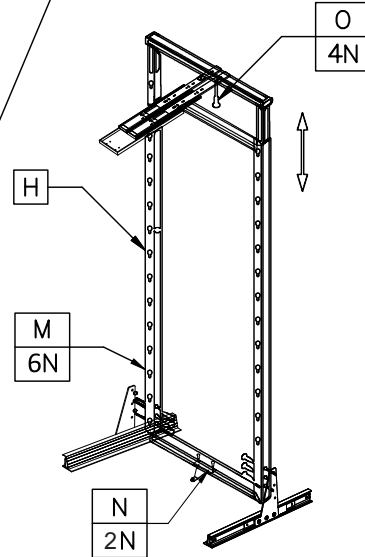
1. Top Channel assembly with Top Bracket



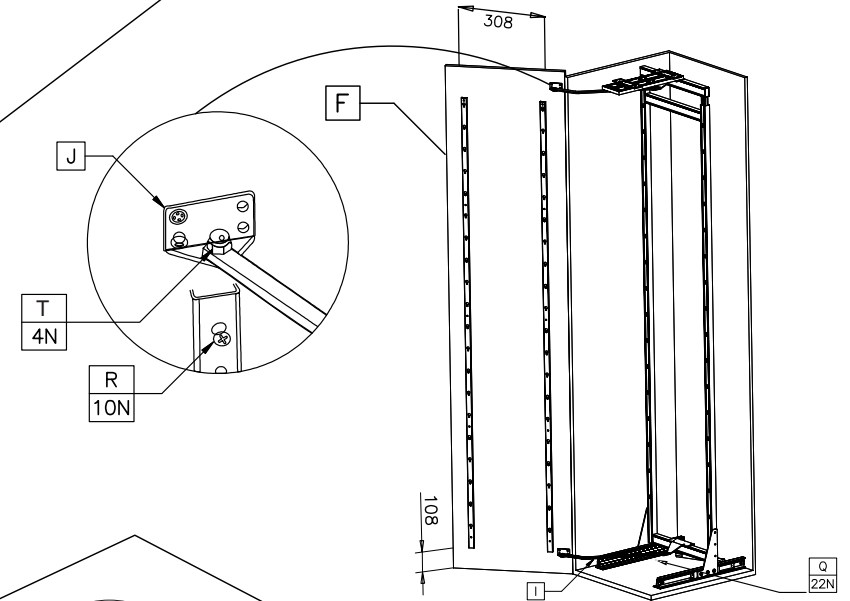
2. Bottom Channel assembly with Bottom Bracket



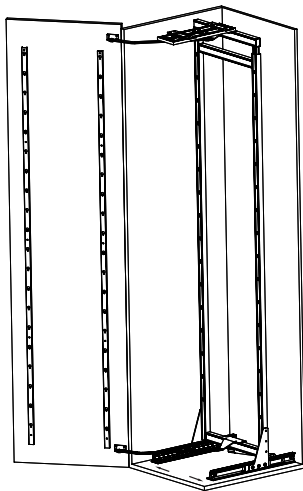
3. Top & Bottom Channel assembly with Main Frame



4. Fixing Door Frame & Link



5. Fix Bottom Channel Cover



6. Fix The Gas Pump

